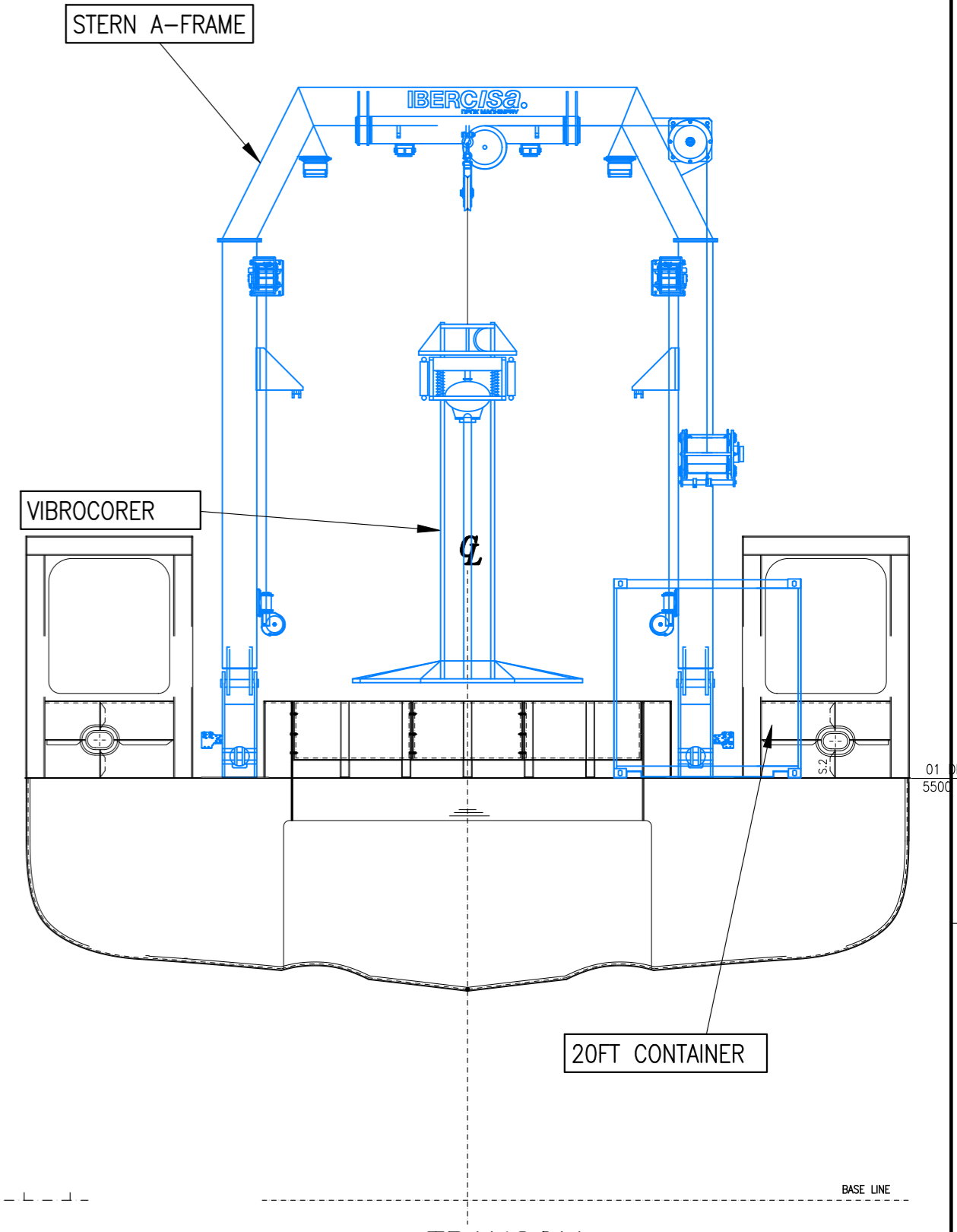
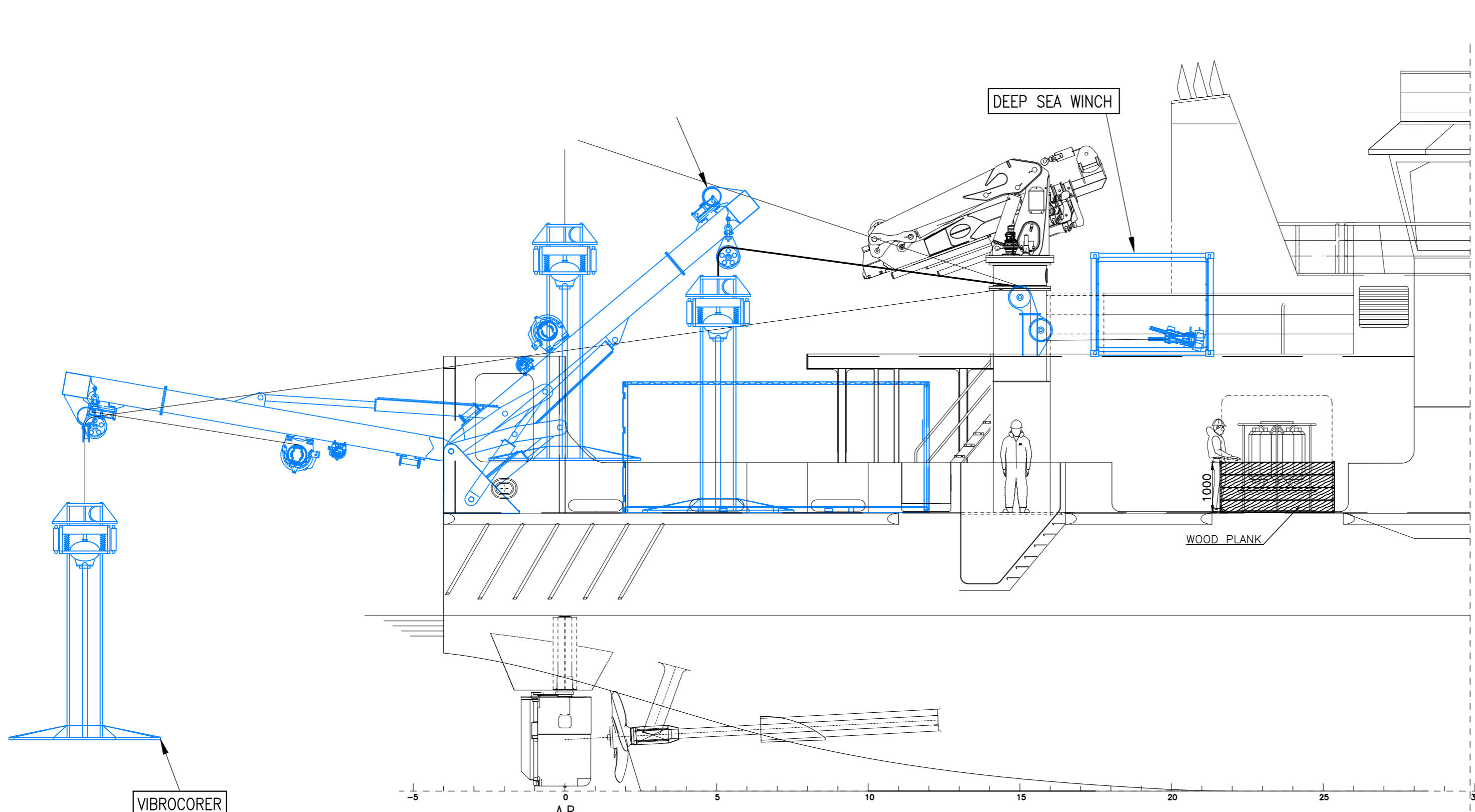
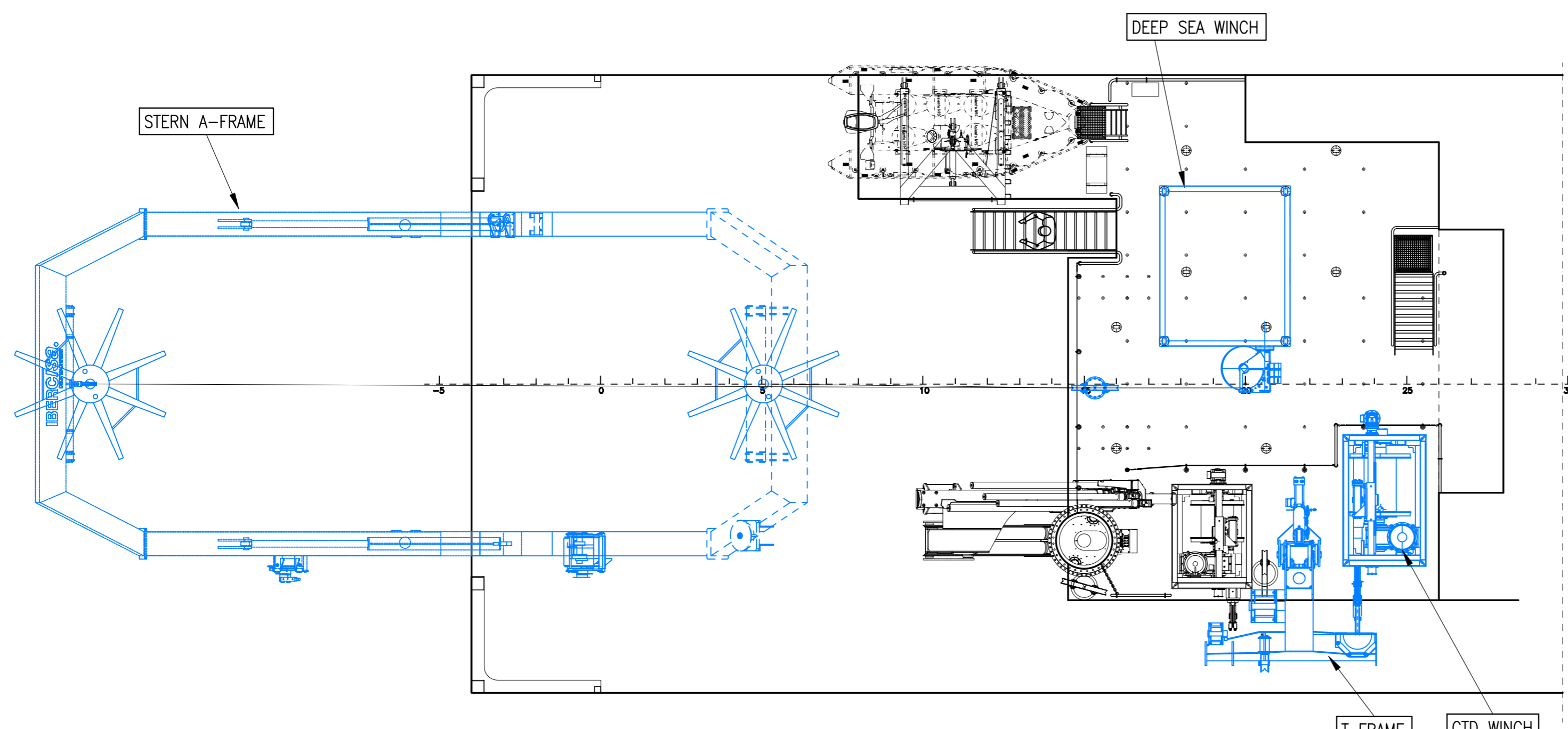


VIBRO CORING 3000

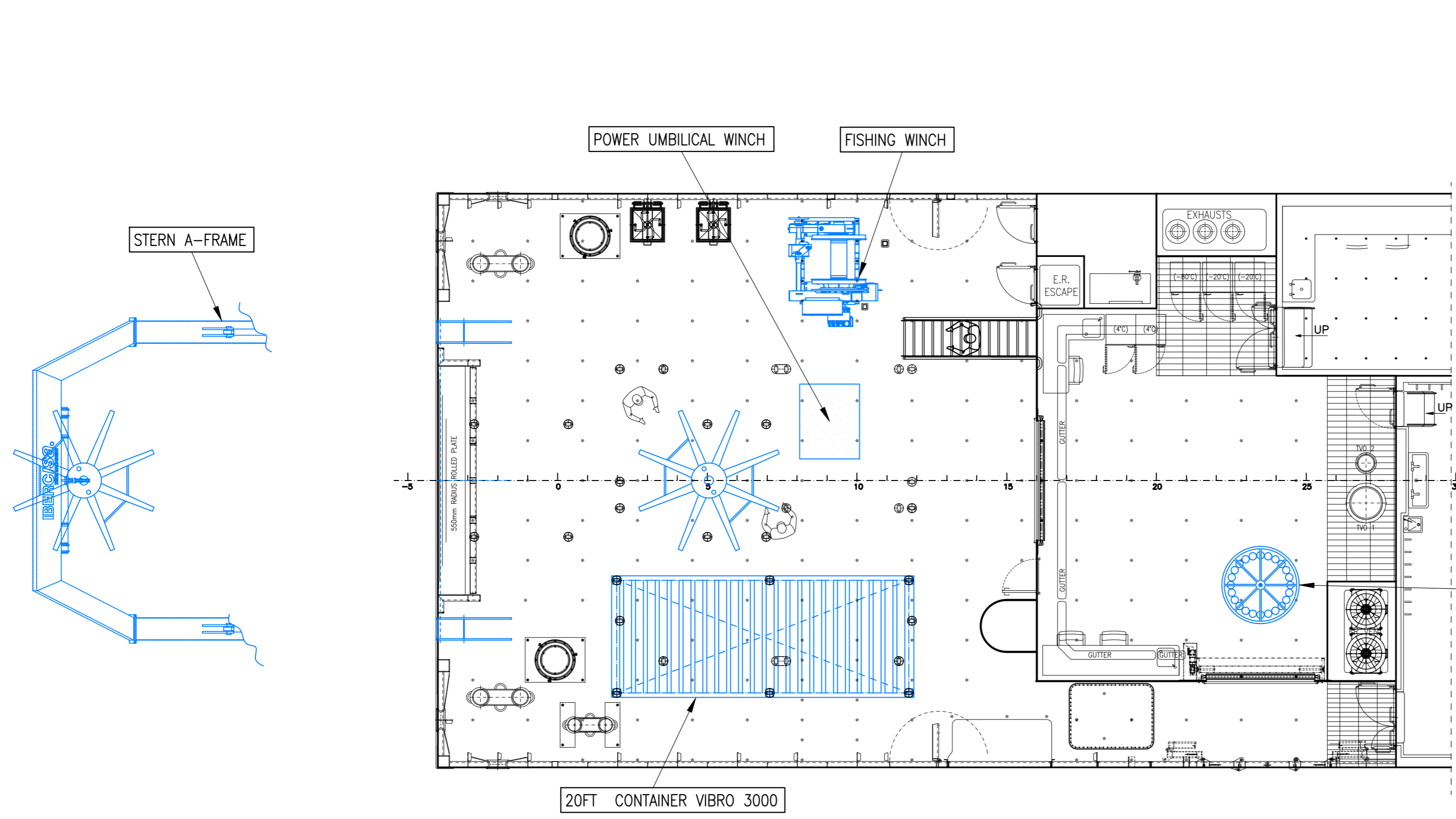
S5.2



PROFILE TRANSOM



TOP VIEW-DECK 02



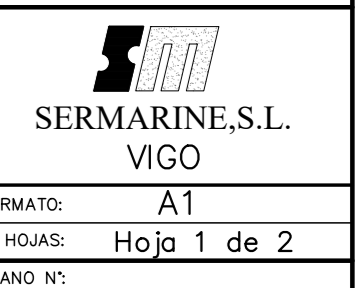
TOP VIEW-DECK 01

NOTES:
 - THE EQUIPMENT CTD ROSETTE AND THE ROCK DREDGE WILL BE USED IN EVERY SCENARIOS. SEE DRAWINGS B735-460.007

NOTES:
 - SCENARIOS ACCORDING TO APPENDIX 101.001 Version 6

CLASS NOTATION
 BV, I- HULL, MACH, AVM-DPS, AUT-UIMS
 MON-SHFT, COMF-VIB-2, COMF-NOISE-2, ALP, ALM-SUBSEA
 Special service / Research vessel, Unrestricted navigation,
 Battery System

01 VERSION INICIAL		FECHA		FIRMA	
DIBUJADO	V.B.	DESIGNACION:			
JALG&ERS		GEOSCIENCE AND PALEOCLIMATE SURVEYS			
29-10-24	29-10-24	TYPE 1			
COPIA Nº:		Scenario S5.2			
DESTINO:		BUQUE TIPO:		CONSTRUCCIONES:	
		COASTAL CLASS RESEARCH VESSEL		B735	
ESCALAS:		1:75		B735-460.005.02.01	



Este plano es propiedad de C.N.P.Freire y Sermarine y queda prohibido copiarlo, mostrarlo o enviarlo a terceros sin su autorización escrita. This drawing is the property of C.N.P.Freire and Sermarine and shall not be copied, shown or sent to a third party without the consent of the owner in writing.